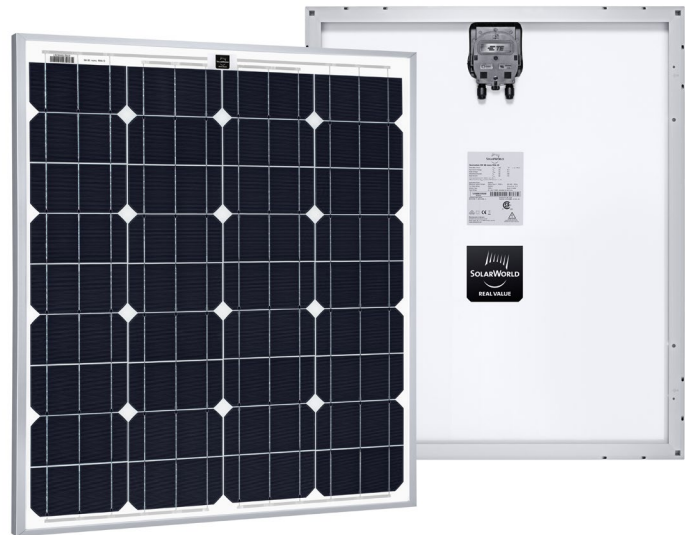


# Sunmodule®

## SW 80 MONO RHA



TUV Power controlled:  
Lowest measuring tolerance in industry



25-year performance warranty and  
5-year product warranty

### World-class quality

Fully-automated production lines and seamless monitoring of the process and material ensure the quality that the company sets as its benchmark for its sites worldwide.

The TUV Rheinland Power controlled inspection mark guarantees that the nominal power indicated for solar modules is inspected at regular intervals and thus ensured. The deviation to TUV is maximum 2 percent.

Resistant to extreme weather conditions: SolarWorld modules, tested and certified, are resistant against sandstorms, high winds or saline environments.

SolarWorld Limited Warranty at purchase.  
[www.solarworld.com/warranty](http://www.solarworld.com/warranty)



- Qualified, IEC 61215
- Safety tested, IEC 61730
- Periodic Inspection
- Blowing sand resistant



- Ammonia resistance tested
- Periodic Inspection
- Power Controlled



# Sunmodule®

## SW 80 MONO RHA



### PERFORMANCE UNDER STANDARD TEST CONDITIONS (STC)\*

		SW 80
Maximum power	$P_{max}$	80 Wp
Open circuit voltage	$V_{oc}$	22.5 V
Maximum power point voltage	$V_{mpp}$	18.5 V
Short circuit current	$I_{sc}$	4.66 A
Maximum power point current	$I_{mpp}$	4.35 A

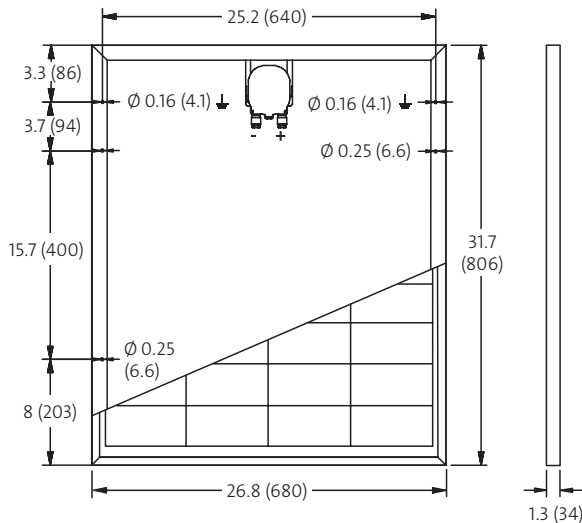
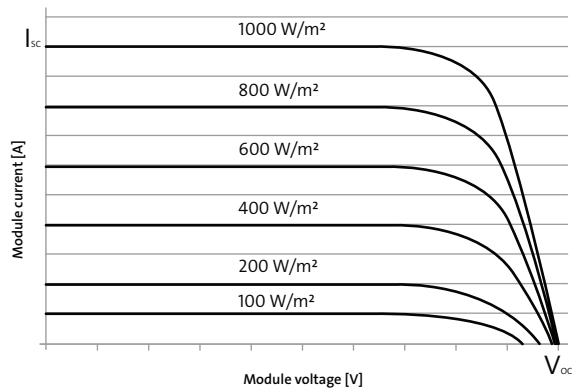
Measuring tolerance ( $P_{max}$ ) traceable to TUV Rheinland: +/- 2% (TUV Power Controlled).

\*STC: 1000W/m<sup>2</sup>, 25 °C, AM 1.5

### PERFORMANCE AT 800 W/m<sup>2</sup>, NOCT, AM 1.5

		SW 80
Maximum power	$P_{max}$	58.1 Wp
Open circuit voltage	$V_{oc}$	20.3 V
Maximum power point voltage	$V_{mpp}$	16.7 V
Short circuit current	$I_{sc}$	3.79 A
Maximum power point current	$I_{mpp}$	3.48 A

Minor reduction in efficiency under partial load conditions at 25°C: at 200 W/m<sup>2</sup>, 100% (+/-2%) of the STC efficiency (1000 W/m<sup>2</sup>) is achieved.



All units provided are imperial. SI units provided in parentheses.  
SolarWorld AG reserves the right to make specification changes without notice.

### THERMAL CHARACTERISTICS

NOCT	46 °C
TC $I_{sc}$	0.04 % / °C
TC $V_{oc}$	-0.30 % / °C
TC $P_{mpp}$	-0.41 % / °C
Operating temperature	-40 °C to 85 °C

### COMPONENT MATERIALS

Cells per module	36
Cell type	Monocrystalline
Cell dimensions	3.07 in x 6.14 in (78 mm x 156 mm)
Front	Tempered glass (EN 12150)
Frame	Clear anodized aluminum
Weight	13.7 lbs (6.2 kg)

### SYSTEM INTEGRATION PARAMETERS

Maximum system voltage SC II	1000 V
Maximum system voltage NEC	600 V
Maximum reverse current	16 A
Number of bypass diodes	2
Design Loads*	Two rail system 113 psf downward 50 psf upward

\* Please refer to the Sunmodule installation instructions for the details associated with these load cases.

### ADDITIONAL DATA

Power sorting	-5/+ 10 %
J-Box	IP65
Module type (UL 1703)	1